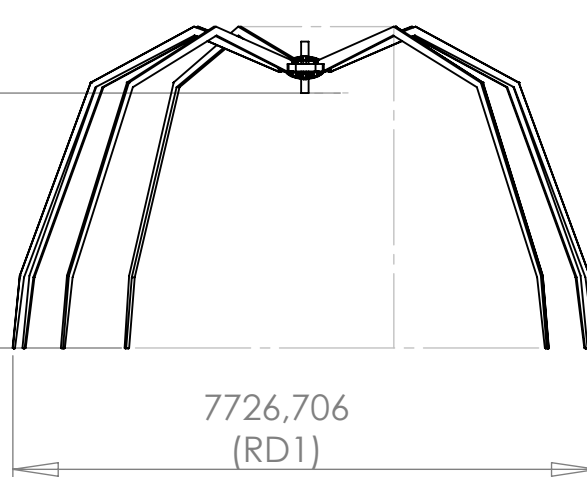
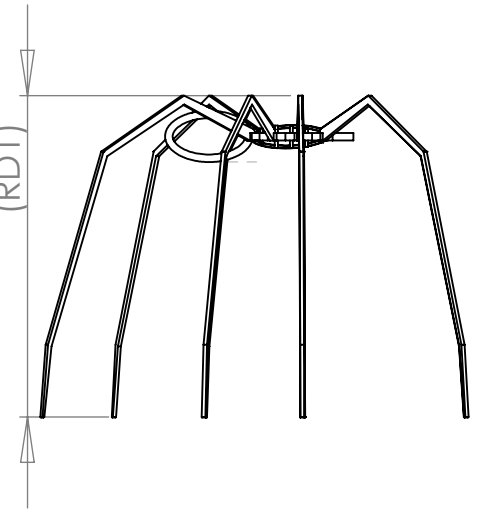


3374,016  
(D1)



7726,706  
(RD1)

4251,205  
(RD1)



PROPRIETARY AND CONFIDENTIAL

THE INFORMATION CONTAINED IN THIS DRAWING IS COPYRIGHTED AND THE SOLE PROPERTY OF WOUT ZWEERS AND ANDRE BOONE. ANY REPRODUCTION IN PART OR AS A WHOLE WITHOUT THEIR WRITTEN PERMISSION IS PROHIBITED.  
©WOUT ZWEERS & ANDRE BOONE 2010

|           |         |   |           |             |  |
|-----------|---------|---|-----------|-------------|--|
|           |         | UNLESS OTHERWISE SPECIFIED:   | NAME      | DATE        |  |
|           |         | DIMENSIONS ARE IN MM<br>TOLERANCES:<br>FRACTIONAL ±<br>ANGULAR: MACH ± BEND ±<br>TWO PLACE DECIMAL ±<br>THREE PLACE DECIMAL ± | DRAWN     | wout zweers |  |
|           |         | INTERPRET GEOMETRIC<br>TOLERANCING PER:   | CHECKED   |             | TITLE:                                   |
|           |         | MATERIAL Corten<br>steel 4mm  | ENG APPR. |             |  |
| NEXT ASSY | USED ON | FINISH  | MFG APPR. |             |  |
|           |         | DO NOT SCALE DRAWING  | Q.A.      |             |  |
|           |         |   | COMMENTS: |             |  |
|           |         |   |           |             | SIZE DWG. NO. REV                        |
|           |         |   |           |             | A anansi                                 |
|           |         |   |           |             | SCALE: 1:100 WEIGHT: 527 kg SHEET 1 OF 2 |

5

4

3

2

1